



Z10 MAX

The next generation touch screen
state-of-the-art universal printing system

PRODUCT

DESCRIPTION

The Z10 MAX is the next generation universal state-of-the-art printing system from Thermal Inkjet TIJ Printers. With a 5" touch screen controller that connects to the MAX Printhead (One-Inch technology), the Z10 MAX is capable of high-resolution outer case packaging applications that is highly adaptable to your printing needs.



VERSATILE



Easy to use

5" Touch Screen with intuitive WYSIWYG interface



Integration

Sleek & streamlined for easy integration with 3rd party products



Flexible

Variable database function to meet the requirements in all kinds of applications

ADAPTABLE



High Quality

Max. 300dpi print quality



High Speed

40m/min @ 300x300 DPI



Head Printing

Connect to a single printhead

WHY CHOOSE

Z10 MAX



SIMPLE, INTUITIVE OPERATION

- ✓ User friendly 5" touchscreen color display with WYSIWYG graphical interface
- ✓ Easy to setup and integrate with any production line/ devices (PLC, Camera, Check-weigher, etc)
- ✓ Built-In Internal Sensors
- ✓ Single printhead support



EXCELLENT PRINT QUALITY & CAPABILITIES

- ✓ High quality 300 dpi max print resolution
- ✓ High speed print at 40m/min at 300dpi
- ✓ Print height of up to 1 inch (25.4mm)
- ✓ Print length of up to 1.5m



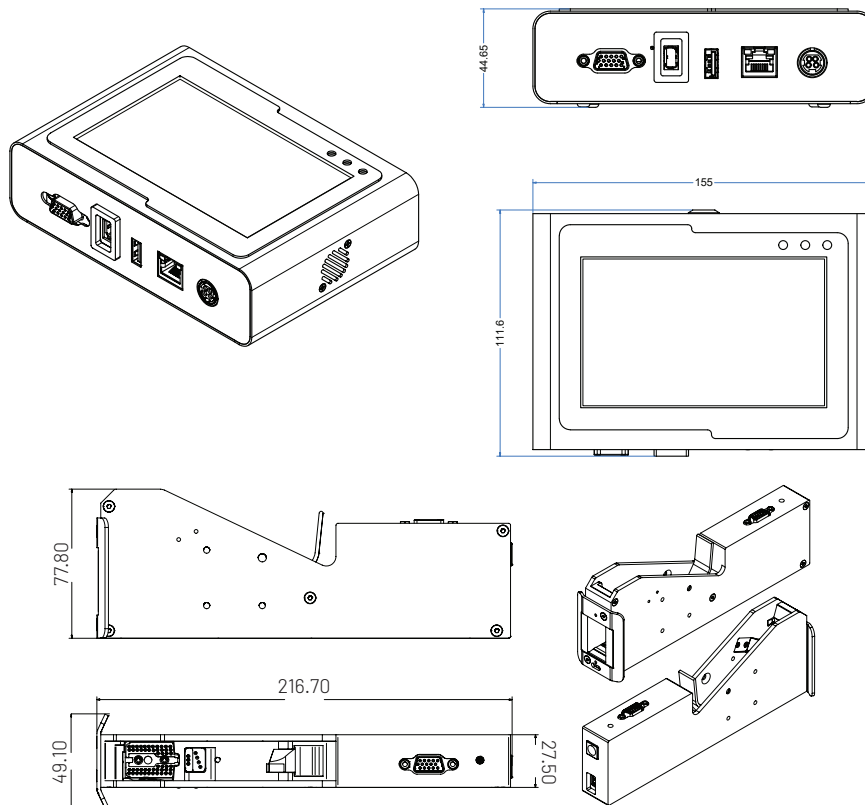
ONE - INCH

- ✓ Wide Selection of Aqueous & Solvents inks available
- ✓ Minimal downtime, ink cartridges can be replaced easily
- ✓ No long start/shutdown procedure to follow
- ✓ Minimal printhead cleaning, filter replacements or any maintenance requirements

SPECIFICATIONS

TECHNICAL SPECIFICATIONS

Printing Technology	1 Inch TIJ
Controller Dimensions	155 x 107 x 40 mm
Printhead Dimensions	216.4 x 49.1 x 77.8 mm
Controller Weight	622g
Print Head Weight	430g
Display	5" LCD Touch Screen
Power Supply	AC 100V-240V, 50/60Hz, DC 24V 2.5A
Resolutions	Max 300 DPI
Print Speed	40m/min @ 300x300 dpi
Density	3 levels
Throw Distance	5mm



FEATURES

Wide Range Of Print Types	<ul style="list-style-type: none"> • Text, Counter • Box/Lot • Datetime • Expiry Date • Julian Date • Shiftcode • Image • Database <p>1D & 2D Barcodes (Code 11, Code 39, Code 128, EAN, QR, Datamatrix, GSI Datamatrix...)</p>
Printable Height	Maximum 25.4mm
External Connections	<ul style="list-style-type: none"> • Build in sensor • External Sensor • Encoder and Alarm beacon
Template Length	1.5m
Database	TXT, CSV, SQL, MySQL, SQLite, JSON
Advance Features	<ul style="list-style-type: none"> • Free design in template up to 1 inch (1 head) • POD (Print online data) Integrate with other devices (PLC, Camera, Checkweigher...) via RJ45 • Real-time Printing • WYSIWYG (what you see is what you get) • Data upload, Backup & Recovery via USB • Up to 10mm throw distance for character and 5mm for 2D barcodes
Printable Characters	Windows true fonts - Free design in template up to 1 inch (1 heads)
Print Languages	English (default), Vietnamese, Chinese (PRC), Turkish, Korean, Russian, Japanese, Hebrew, Spanish, Thai, Portuguese and Arabic...
System Languages	English (default), German, Vietnamese, Chinese, Korean, Russian, Turkish, Portuguese, Spanish, Polish, Greek and Italian (and others)



APPLICATIONS

INDUSTRY OPPORTUNITIES



F&B



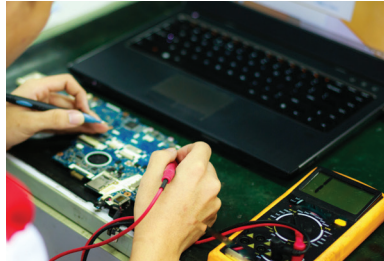
SHIPPING & LOGISTICS



PHARMACEUTICALS



PERSONAL CARE



ELECTRONICS



AUTOMOTIVE

TYPES OF PRINTING APPLICATIONS

POROUS



CARTON BOXES



FOOD BOXES



MASKS



MEDICINE BOXES

NON - POROUS



PLASTIC BOTTLES



CANS



FOOD LABELS



PVC TUBES



Thermal
Ink Jet

WWW.THERMALINKJET.COM



LAHORE - PAKISTAN
EXPERIENCE CENTER

16 J Johar Town Lahore Pakistan
Tel: +92 42 35314777, 35314888
Tel: +92 321 1223888
Email: info@zauq.com
Website: www.zauq.com



KARACHI - PAKISTAN
EXPERIENCE CENTER

246-D, KDA Scheme 1
Karachi, Pakistan
Tel: +92 321 1223999
Email: info@zauq.com
Website: www.zauq.com



ONTARIO - CANADA
GLOBAL OFFICE

1837 Sevenoaks Drive
Mississauga, Ontario Canada
Tel: +1-647-286-5105
Email: info@zauq.me
Website: www.zauq.me



INNOVATE • TRANSFORM • INSPIRE
WWW.ZAUQ.COM